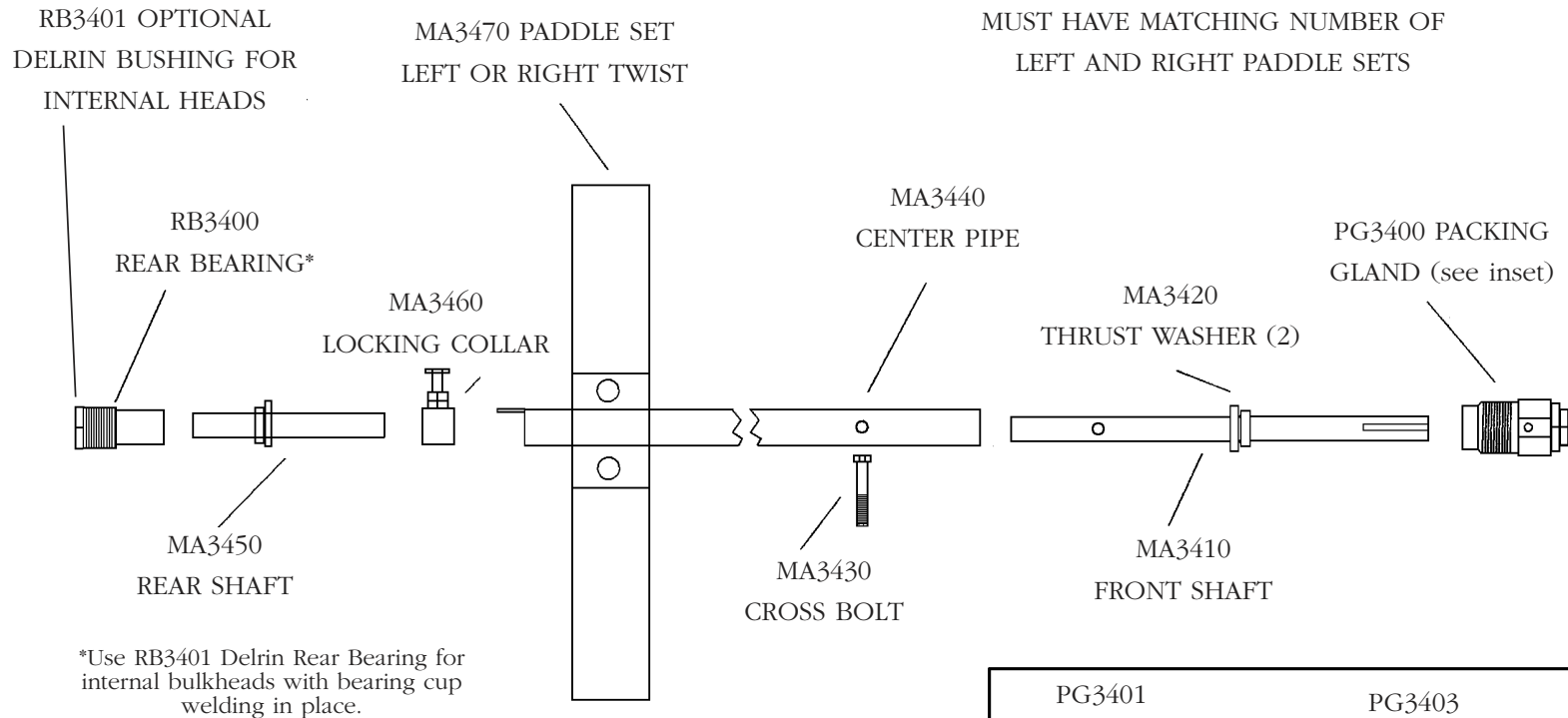


MECHANICAL AGITATION ASSEMBLY



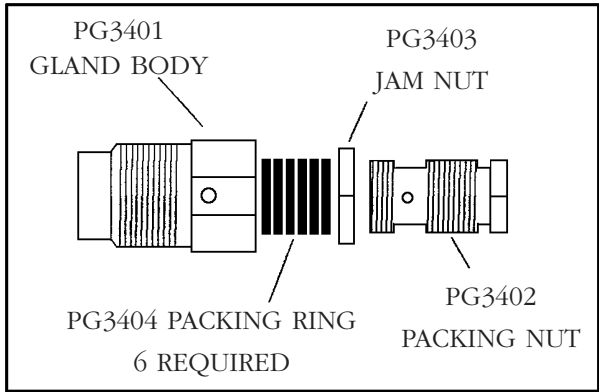
Tanks



NOT SHOWN:

MA 3480 DELRIN MIDDLE BEARING (for long tanks)
 PG3410 PACKING GLAND WITH FRONT SHAFT

MA 3400 MECHANICAL AGITATION



Replacement assemblies for Minnesota Wanner tanks and others using 3/4" shafts.
 Stainless steel wetted parts and brass packing glands for long life.