

# MODEL A14 / A14MU



Field proven for heavy duty service



A14



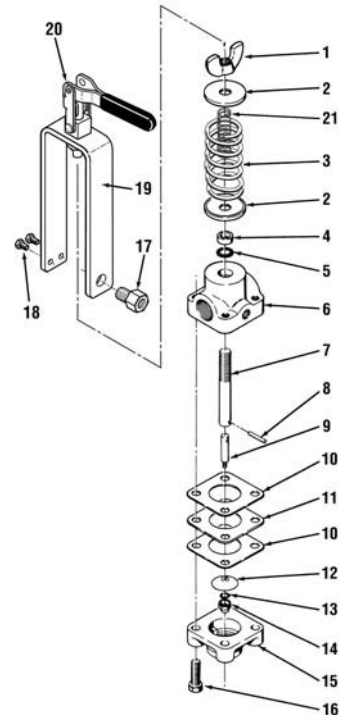
A14 MU

- Aluminum alloy casting for low weight and superior corrosion resistance.
- Interior parts all stainless steel with wear parts hardened for maximum wear resistance.
- Compact, low profile design, ideal for tight installations.
- Flow through design eliminates need for tee in pressure line. Two 3/4" IPT discharge openings and 1/4" gauge opening.
- Wide capacity and pressure range, 0-500 PSI, 0-22 GPM while maintaining sensitivity.
- Easy maintenance, removal of bottom cap permits access to interior parts without disturbing plumbing.

The A14 MU has the following features:

- Adds Manual Unload feature to field proven A14 pressure relief valve.
- Manual Unload feature instantly relieves pressure in system. Saves on engine starter, makes hand starting easier.
- Allow rapid priming of system after filling, cleaning strainer, etc.
- Toggle provides easy operation, maintains exact pressure setting.
- Lightweight, corrosion resistant aluminum frame.

Ref. No.	Part No.	Description	Qty. Req'd.
1	A1407	Wing Nut (1/2" - 13 plated)	1
2	A1304	Spring Guide	2
3	A1405	Spring	1
4	A1511C	Busying - Teflon	1
5	A1510	O-Ring	1
6	A1401	Body Casting	1
7	A1403	Control Stem	1
8	A1607	Spring Pin (3/16" x 1")	1
9	A1404	Valve Stem	1
10	A1406	Gasket	2
11	A1604	Valve Plate	1
12	A0128	Valve	1
13	A1041	O-Ring (-008)	1
14	A1042	Flex Loc Nut	1
15	A1402	Cap Casting	1
16	A1061	Cap Screw (3/8-16 x 1 1/2" Hex Hd. Plated)	4
21	A1422	Low Pressure Spring	1
	A1450	Repair Kit Includes items 4, 5, 8, 10 (2), 11, 12, 13 and 14	



### Additional Parts For A14MU

Ref. No.	Part No.	Description	Qty. Req'd.
17	A1410	Adapter, Gauge Fitting	1
18	A1411	Cap Screw 1/4 - 20x1/2	2
19	A1408	Toggle Bracket	1
20	A1409	Toggle	1



## WANNER MODEL A52



### Wanner Model A52 Pressure Control and Hydraulic Unloader Valve

The Wanner Model A52 pressure control and hydraulic unloader valve is for use in high pressure pumping installations with intermittent loading. The A52 acts as a pressure regulator by modulating fluid flow through a bypass valve. When the discharge line from the control valve is closed, the load is removed from the connected pump and driver.

#### The A52 has the following features:

- Aluminum alloy casting for low weight and corrosion resistance.
- Hardened stainless steel check valves and seats.
- All wear parts easily replaceable.
- Available in two sizes - 3/4" NPT with a nominal capacity of 10 GPM and a 1" NPT with a nominal capacity of 30 GPM.

## WANNER C64 PRESSURE RELIEF VALVE



### Sealless diaphragm style pressure relief / regulator valve

- 316 Stainless steel body for better resistance to abrasive sprays.
- Special 4 port body for greater plumbing flexibility. Three 3/4" FNPT flow through pressure ports and a 3/4" FNPT bypass port.
- Extra large, heavy duty T handle adjusting nut.
- Made in America.
- Heavy duty industrial construction.
- Smooth, chatter free bypass. Adjustable pressure from 75 - 800 PSI.
- Valve can be serviced in place without removing plumbing.

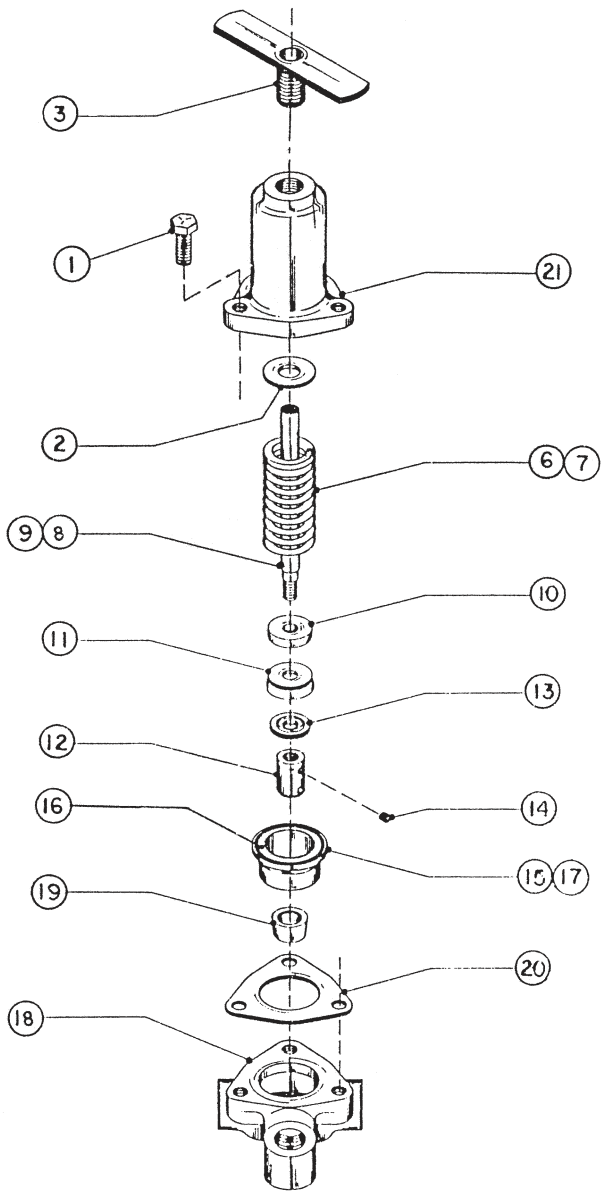
Order # C64C101

# JOHN BEAN RELIEF VALVE - MODEL 1207620



Extra heavy duty cast iron relief valve has ceramic sleeve and stainless steel valve and seat for exceptional wear resistance.

- Three 3/4" NPT pressure ports allow flow through use plus gauge or dump valve mount.
- Large T-handle adjustment knob.
- Maximum flow 40 GPM.
- Pressure Range 50-800 PSI.



Ref. No.	Part No.	Description	Qty. Req'd.
1	1100043	HHCS 3/8 - 16" x 1 1/4"	3
2	1207623	Spring Cap	1
3	1208384	Nut Assembly	1
6	1207638	Spring, Heavy	1
7	1207639	Spring, Light	1
8	*1251513	Stem Assembly	1
9	1207621	Stem	1
10	1207624	Spring Seat	1
11	1270058	Cup, Plunger	1
12	28090	Valve	1
13	30398	Plunger Washer	1
14	320383	Set Screw 5/16-18 x 5/16	1
15	1268474	Sleeve & Cylinder Assembly	1
18	27670	Relief Valve Body	1
19	28089	Valve Seat	1
20	28098	Gasket	1
21	30402	Housing	1

\*Consists of items 9-14

#5256493 Repair Kit Includes:

Part No.	Description	Qty. Req'd.
1177860	Set Sc 5/16 - 18 x 1/4	1
1270058	Cup Plunger RV	1
28089	Seat	1
28090	Valve	1
28098	Gasket	1



Heavy duty stainless steel adjusting nut  
Part # 1208384-2



## HYDRA-CELL INDUSTRIAL RELIEF VALVES

Heavy duty construction of brass (or stainless steel) with flow through design.

Three sizes to match your pump:



	C22	C23	C24
GPM	3-10	10-20	20-40
PSI (Variable)	200-500 500-1000 1000-1500	200-500 500-1000 1000-1500	100-300 300-1000 1000-1500
Ports	3/4" NPT	1" NPT	1 1/4" NPT

### PISTON TYPE PRESSURE RELIEF VALVE



#### Model 6815

- Brass or aluminum with stainless steel springs.
- Choice of 1/2" or 3/4" NPT (M) inlet and (F) outlet connections.
- For pressures to 300 or 700 PSI.
- Also available in brass with hardened stainless steel seat.

### PISTON TYPE PRESSURE RELIEF VALVE



#### Model 110

- Brass.
- Choice of 1/4" or 3/8" NPT (M) inlet and (F) outlet connections.
- For pressures to 50, 300 or 700 PSI.
- Removable bonnet for servicing unit without removing valve from line.

## DIAPHRAGM TYPE PRESSURE RELIEF VALVE

Choice of 1/2" and 3/4" NPT sizes. Chemical resistant diaphragm seals off operating parts from contact with chemicals and remains resilient for chatter-free, responsive pressure control.



#### Model 8460

Nylon inlet body with aluminum bonnet. Choice of 1/2" or 3/4" NPT (M) inlet and (F) outlet connections. Flow rates to 56 GPM for 1/2" size and to 70 GPM for 3/4" size. Pressures to 50 PSI or 300 PSI.

Note: 1/4" gauge port.

#### Features:

- Stainless steel springs, responsive to the pressure range of each valve.
- Extra large valve passages to handle full flow from supply line.
- Positive lock nut to hold adjustment screw firmly in place. Not affected by jarring and vibration.

## PISTON TYPE PRESSURE RELIEF VALVE



#### Model 23120

- Polypropylene with stainless steel spring.
- Excellent chemical resistance.
- EPDM rubber o-rings (viton optional).
- Choice of 1/2" or 3/4" NPT (M) inlet and (F) outlet connections.
- For pressures to 60 PSI or 150 PSI.
- 1/4" port for pressure gauge.